



Support Harness Mounting Bracket Assembly

for the

***Matrix PB and Matrix Elite
Back Cushion***

Installation & Set-up Manual

i **DEALER:** This manual contains important Safety, Installation and Set-up information specific to the IVC-Matrix Support Harness Mounting Bracket Assembly. This Manual MUST be given to the user of the product.

BEFORE using this product, please read through the instructions carefully and save for future reference.



Safety Symbols:

Installing your Matrix Seating Series product safely depends upon your diligence in following the warnings, cautions and information provided in this Installation Manual.

The symbols below are used throughout all Motion Concepts' manuals to identify warnings, cautions and important notes. It is very important for you to read and understand them completely.



WARNING!

This symbol warns you of danger!

- Always follow these instructions to avoid injury to the user or damage to the product!



IMPORTANT!

- Important information to remember when operating your Motion Concepts power positioning system



NOTE:

- This symbol identifies general information which is intended to simplify working with your product and/or which refers to special functions or important instructions.



Requirements:

- This symbol identifies a list of various tools, components and items which you will need in order to carry out certain work.



READ WELL BEFORE OPERATION!

- This symbol advises you to read information carefully.

Support Harness Mounting Brackets for the MaTRx PB & Matrix Elite

SAFETY WARNINGS:



WARNING!

The Matrix-PB and Matrix Elite Support Harness Mounting Brackets were intended for use with positioning harnesses such as the Invacare Pro-tech series or the Body Point harness series.

- Always ensure all harness fittings and hardware is compatible with the support harness mounting brackets provided.
- DO NOT modify the support harness mounting brackets; Unauthorized modifications to the mounting brackets may result in personal injury and will compromise the limited warranty.



WARNING!

Support Harnesses and Positioning Belts are **not** designed to provide proper restraint during motor vehicle transport and should never be utilized as a Safety Restraint.

- DO NOT sit in your wheelchair while it is in a moving vehicle. When travelling in a motor vehicle you must be properly secured in a motor vehicle seat with approved safety belts securely fastened.



WARNING!

The Support Harness Mounting Bracket Assembly has **NOT** been crash tested and is **NOT** approved for use as part of a vehicle safety restraint during transport.

- When travelling in a motor vehicle, the user must be properly secured in a motor vehicle seat with approved safety belts securely fastened.



WARNING!

Please check your support harness weekly to ensure that it is still in good working condition; to ensure it has no damage or wear, and to ensure it is fixed properly to the wheelchair.

- If the support harness is fastened using a bolted connection, ensure that the connection has not loosened or come undone.
- Please be certain to read the service manual provided by the support harness manufacturer for more information about safety and maintenance of your support harness.



IMPORTANT!

Please be certain to read the **Support Harness User Manual** (*provided separately*) for important safety information and instructions regarding the proper set-up, installation and use of your support harness.

If you have any questions or concerns during the installation of the Support Harness Mounting Bracket Assembly please contact our Technical Service Department for assistance:

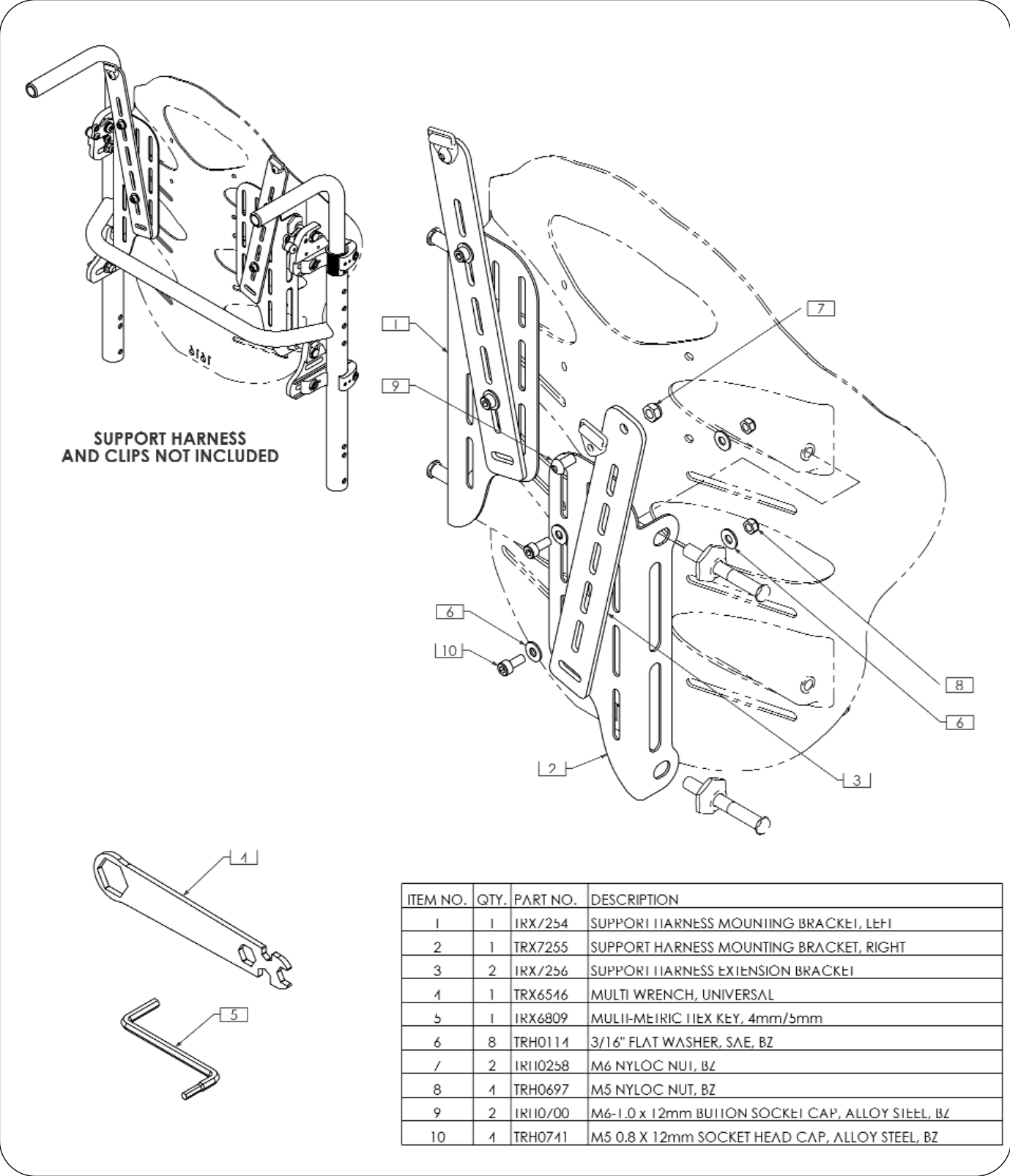
Canada: 800-680-4191

USA: 888-433-6818

Support Harness Mounting Bracket Assembly for the MaTRx PB & Matrix Elite


1.0 SUPPORT HARNESS MOUNTING BRACKET for the Matrix Elite Back

1.1 Installation Overview (Matrix Elite Backs):



ITEM NO.	QTY.	PART NO.	DESCRIPTION
1	1	IRX/254	SUPPORT HARNESS MOUNTING BRACKET, LEFT
2	1	TRX7255	SUPPORT HARNESS MOUNTING BRACKET, RIGHT
3	2	IRX/256	SUPPORT HARNESS EXTENSION BRACKET
4	1	TRX6516	MULTI WRENCH, UNIVERSAL
5	1	IRX6809	MULTI-METRIC HEX KEY, 4mm/5mm
6	8	TRH0114	3/16" FLAT WASHER, SAE, BZ
7	2	IRI10258	M6 NYLOC NUT, BZ
8	4	TRH0697	M5 NYLOC NUT, BZ
9	2	IRI10/00	M6-1.0 x 12mm BUSHING SOCKET CAP, ALLOY STEEL, BZ
10	4	TRH0741	M5 0.8 X 12mm SOCKET HEAD CAP, ALLOY STEEL, BZ

1.0 SUPPORT HARNESS MOUNTING BRACKET for the **Matrx Elite Back**

 Please read through the following installation instructions **before** proceeding with the Support Harness Mounting Bracket installation

1.2 Support Harness Mounting Bracket Installation Instructions (Matrx Elite):

1. If applicable, remove the existing mounting pins (x4) and flange nuts (x4) from the Matrx Elite Back Shell (retain hardware).

NOTE: For ease of installation, we recommend installing the extension bracket onto the mounting plate prior to securing the entire assembly onto the back shell.

2. Use the various mounting slots to achieve the desired angle & height of the extension bracket, and loosely install the extension bracket onto the mounting plate using the hardware provided* (1). (Refer to **Figure 1** for some of the sample installation/adjustment options available for the extension bracket).

***note:** to help pre-determine the mounting position of the extension bracket, align the mounting plate with the back shell and position the extension bracket on the plate to determine which slots/mounting hardware locations will produce the desired position.

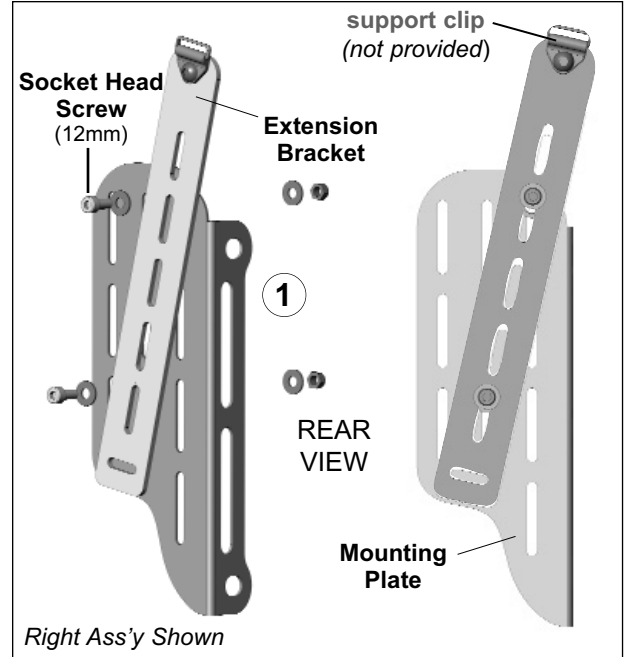
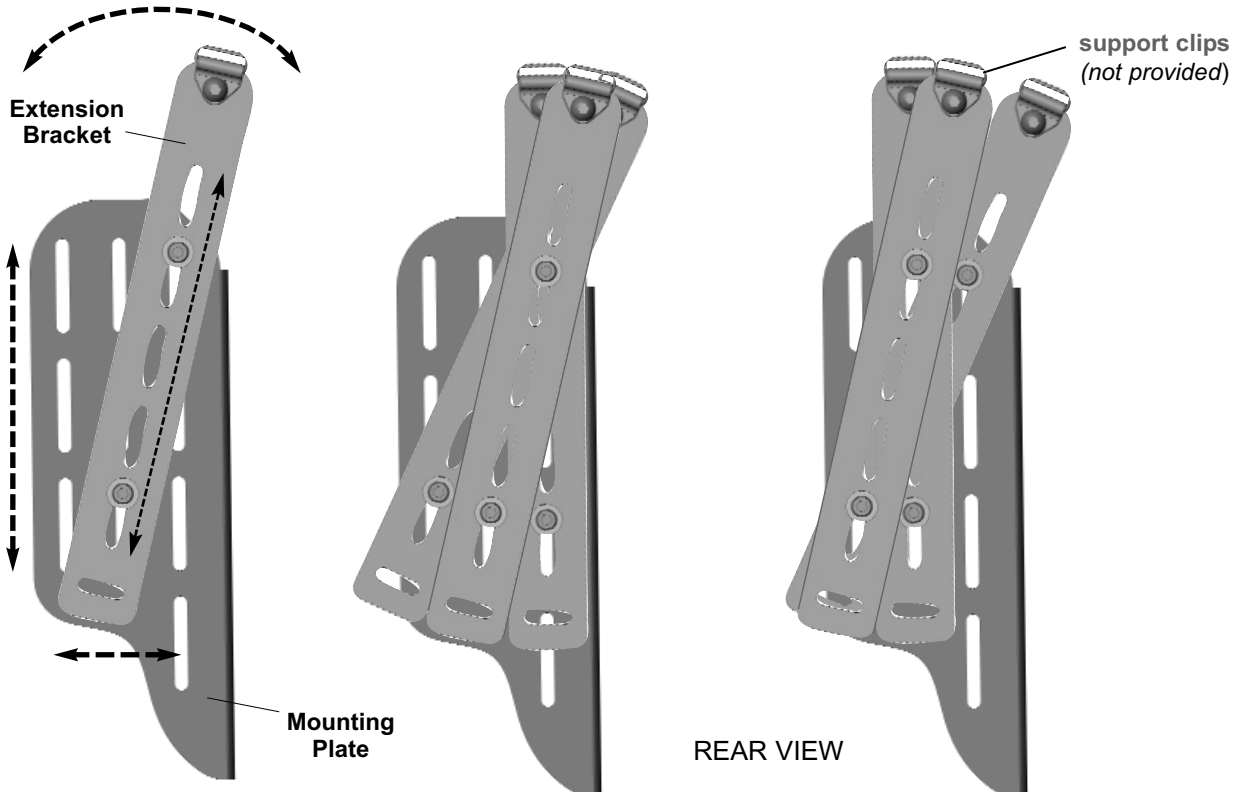


Figure 1. EXTENSION BRACKET ADJUSTMENT (Height, Width & Angle Adjustment)

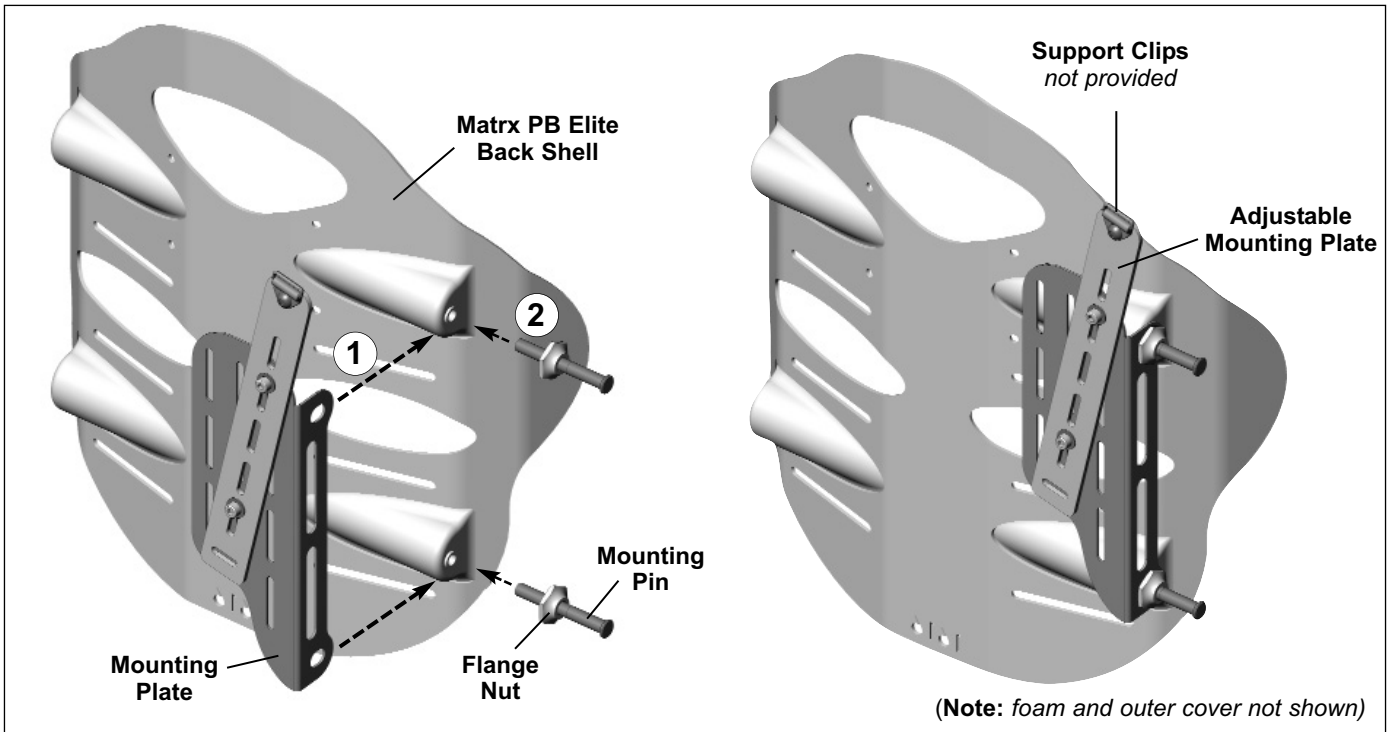


Right Extension Bracket Assembly Shown

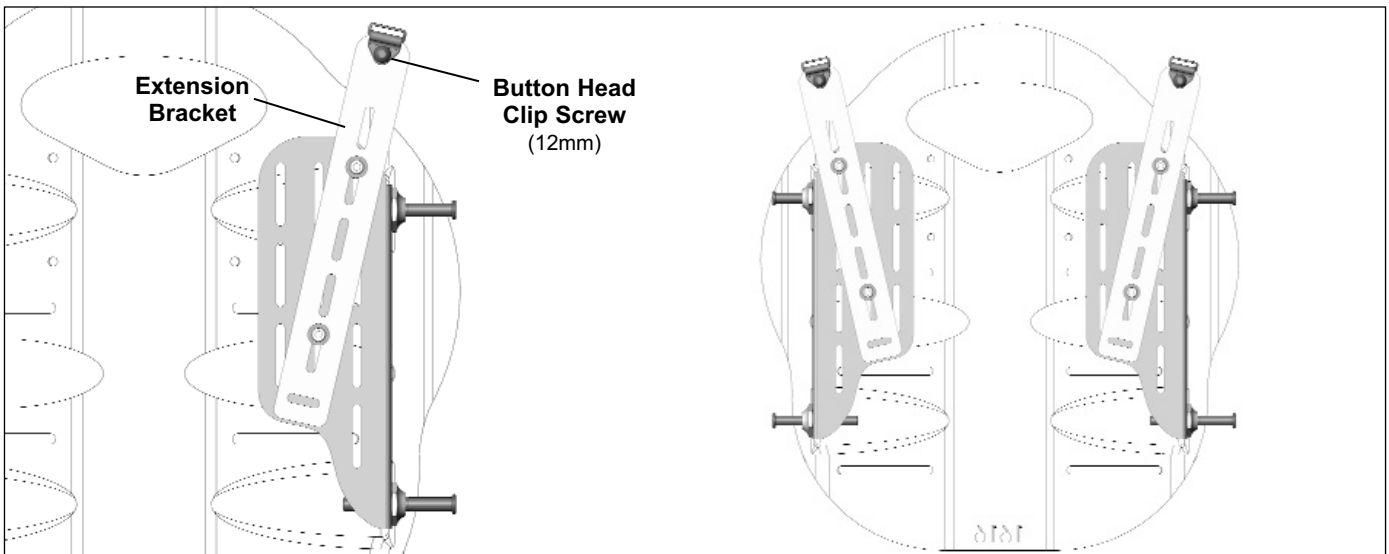
1.0 SUPPORT HARNESS MOUNTING BRACKET for the **Matrx Elite Back**

1.2 Support Harness Mounting Bracket Installation Instructions (Matrx Elite) ... (cont'd):

3. Working on one side of the back shell, align the mounting holes in the mounting bracket with the pin hole locations on the elite back shell (1).
 4. Install/secure the mounting bracket using the mounting pins/flange nuts provided with the back shell (2).
(Note: please refer to your Matrx Elite User Manual for instructions on setting the proper mounting pin depth).
- i IMPORTANT!** Once the pin depth has been properly adjusted, ensure the flange nuts are fully tightened against the mounting bracket.
5. Repeat steps 3 and 4 for the opposite side of the back shell.



- 5 Install the support clips (included separately with your support harness) onto the extension bracket using the 12mm button head screws provided.



1.0 SUPPORT HARNESS MOUNTING BRACKET for the **Matrx Elite Back**

1.2 Support Harness Mounting Bracket Installation Instructions (Matrx Elite) ... (cont'd):

- 6 Make any final adjustments to the extension bracket position (height/angle) and fully tighten hardware.
- 7 Verify that all remaining mounting/installation hardware is secured.
- 8 With the Support Harness Mounting Bracket Assembly fully installed, please refer to your **Support Harness User Manual** (*provided separately*) for important safety information and instructions regarding the proper set-up and installation of your support harness.

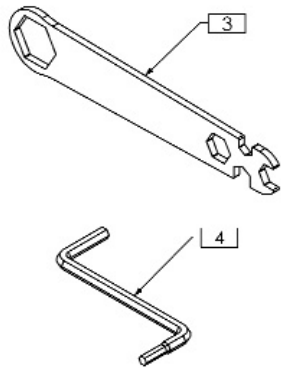
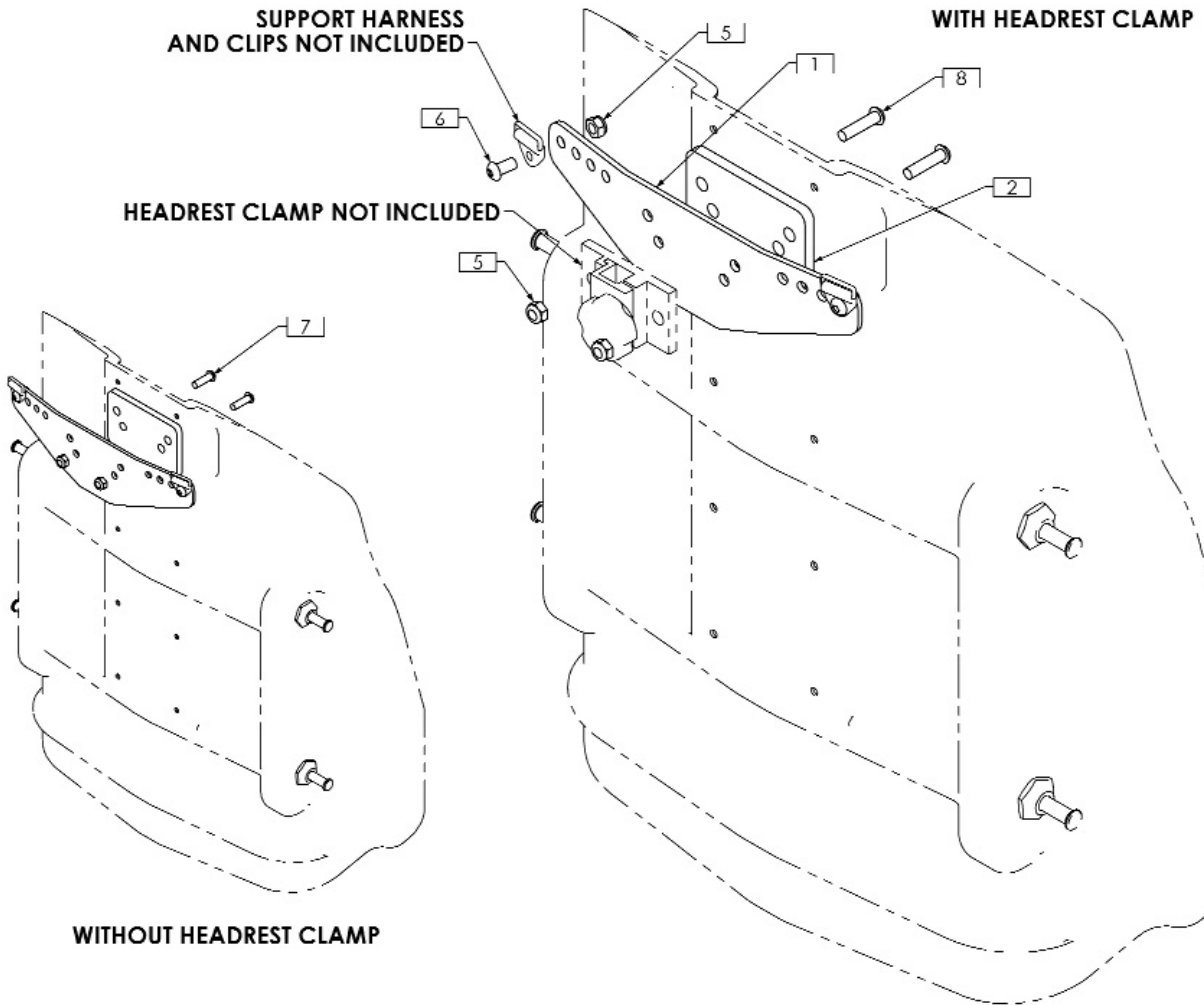
If you have any questions or concerns during the installation of the Support Harness Mounting Bracket Assembly please contact our Technical Service Department for assistance:

Canada: 800-680-4191

USA: 888-433-6818


2.0 SUPPORT HARNESS MOUNTING BRACKET for the Matrix PB Back

2.1 Installation Overview (Matrix PB Backs):




ITEM NO.	QTY.	PART NO.	DESCRIPTION
1	1	IRX/25/	SUPPORT HARNESS MOUNTING BRACKET
2	1	TRX7586	SHIM
3	1	IRX6546	MULTI-WRENCH, UNIVERSAL
4	1	TRX6809	MULTI METRIC HEX KEY, 4mm/5mm
5	4	IRI10258	M6 NYLOC NUT, BZ
6	2	TRH0700	M6 1.0 x 12mm BUTTON SOCKET CAP, ALLOY STEEL, BZ
7	2	IRI1075/	M6-1.0 x 20mm BUTTON SOCKET CAP, ALLOY STEEL, BZ
8	2	TRH0771	M6 1.0 x 25mm BUTTON SOCKET CAP, ALLOY STEEL, BZ

2.0 SUPPORT HARNESS MOUNTING BRACKET for the Matrix PB Back


 Please read through the following installation instructions **before** proceeding with the Support Harness Mounting Bracket installation

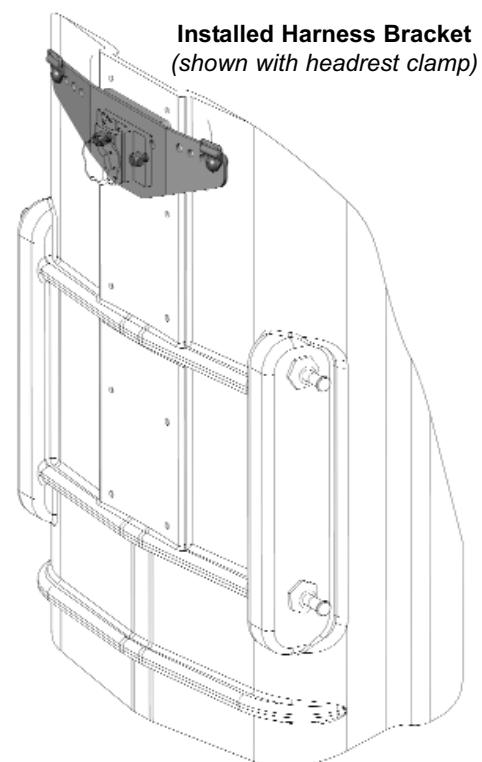
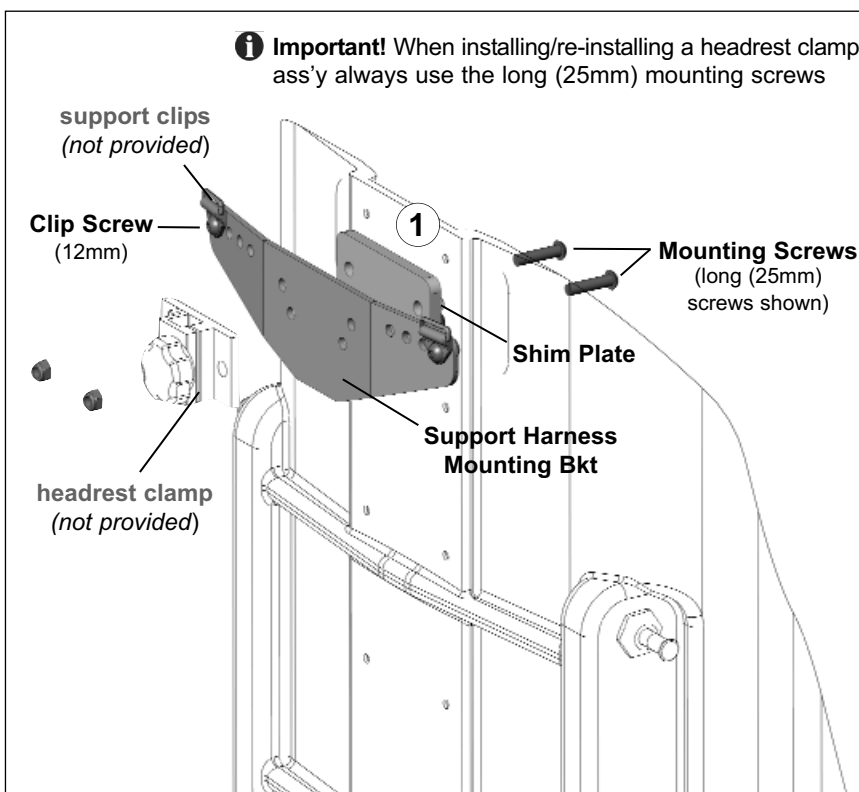
2.2 Support Harness Mounting Bracket Installation Instructions (Matrix PB):

1. Unzip the outer cover along the top of the Matrix PB back, and peel/pull back the cover and foam to access the pre-drilled mounting holes in the back shell (*foam and outer cover not shown*). (**Note:** If applicable, remove existing headrest mounting plate and hardware from the back shell).
2. Align the shim plate and harness support bracket with the pre-drilled headrest mounting holes on the back shell as indicated below (1).
3. Using the hardware provided, install the mounting screws* from the inside of the back shell so that they protrude through the shim plate and harness support bracket.
*(*Note: a set of long (25mm) and short (20mm) mounting screws is provided in each hardware kit. The short screws allow the support harness bracket/shim to be installed directly onto the back shell; the long screws are intended for use when a headrest clamp (not provided) is installed- please see **WARNING!** below)*

 **WARNING!** When installing or re-installing a Headrest Clamp/Assembly onto a Matrix PB-Back, **always** ensure the long (25mm) mounting screws (*provided*) are used. **Always** ensure there is sufficient screw thread available to fully secure the nyloc nuts. Failure to ensure the headrest clamp and harness support bracket are properly installed may result in serious personal injury.

4. Secure the Support Harness Mounting Bracket (*and headrest clamp, if applicable*) onto the back shell using the appropriate hardware provided.
5. Install the support clips** (*included separately with your support harness*) using the 12mm clip screws provided.

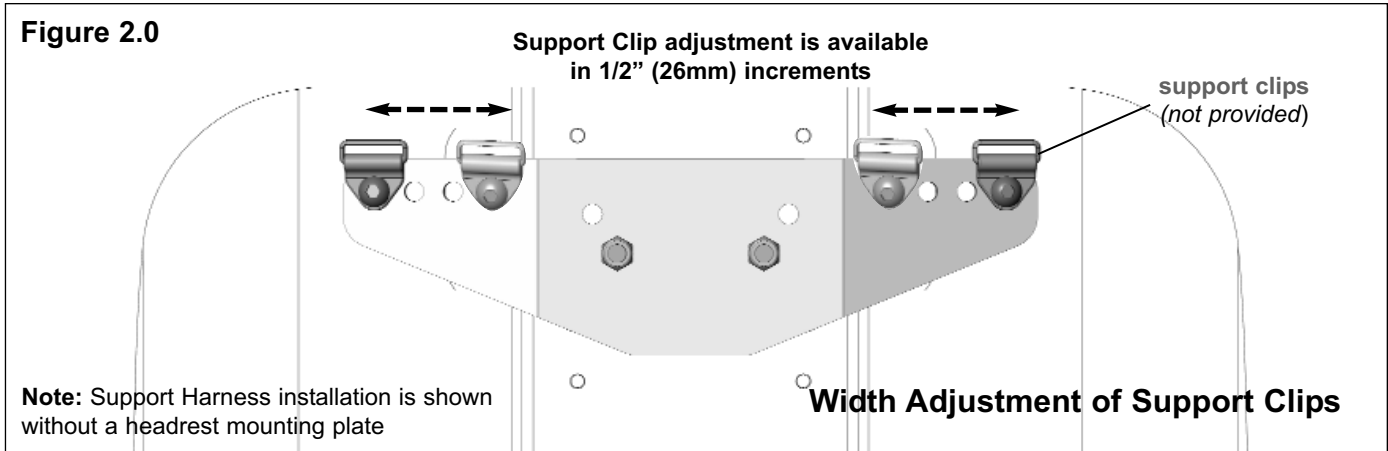
 ****NOTE:** Support clips may be installed in 1 of 4 positions (widths) along the harness mounting bracket (refer to **Figure 2.0**). Prior to installing the support clips, please refer to your **Support Harness User Manual** (provided separately) for important safety information and instructions regarding proper harness set-up.



(Note: foam and outer cover not shown)

2.0 SUPPORT HARNESS MOUNTING BRACKET for the Matrx PB Back

2.2 Support Harness Mounting Bracket Installation Instructions (Matrx PB) ...cont'd:



- 6 Verify that all mounting/installation hardware is fully secured.
- 7 Re-align the foam and cover along the top of the Matrx PB back shell and close up the zipper.
- 8 With the Support Harness Mounting Bracket Assembly fully installed, please refer to your **Support Harness User Manual** (*provided separately*) for important safety information and instructions regarding the proper set-up and installation of your support harness.

If you have any questions or concerns during the installation of the Support Harness Mounting Bracket Assembly please contact our Technical Service Department for assistance:

Canada: 800-680-4191

USA: 888-433-6818

NOTES:



Invacare

www.invacare.com

USA
700 Ensminger Rd. Suite 112
Elyria, Ohio
44036-2125
Tel: 440-329-6000
Tel: 800-333-6900

Canada
570 Matheson Blvd. E Unit 8
Mississauga, Ontario
L4Z 4G4
Tel: 800-668-5324



Motion Concepts

www.motionconcepts.com

USA
700 Ensminger Rd. Suite 112
Tonawanda, NY 14150
Tel: 888.433.6818

Canada
84 Citation Drive
Concord, Ontario L4K 3C1
Tel: 866.748.7943
Tel: 905.695.0134



TRD0319-01