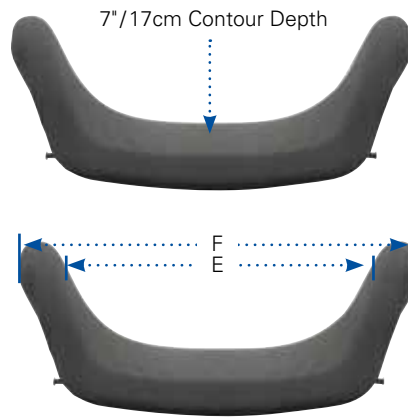
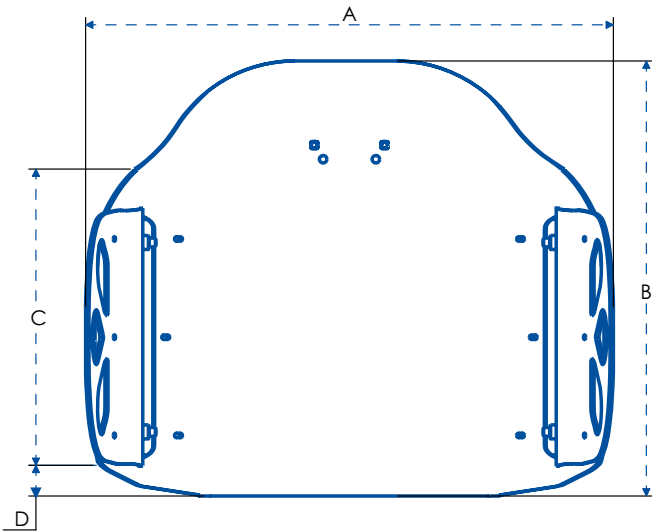




# INVACARE® MATRX® PB DEEP HEAVY-DUTY BACK SPECIFICATIONS



MODEL	BACK SHELL DIMENSIONS								OVERALL DIMENSIONS (CONTACT AREA)									
	A WIDTH		B HEIGHT		C LATERAL CONTOUR HEIGHT		D HEIGHT		E INNER MAXIMUM WIDTH		F OUTER MAXIMUM WIDTH		G HEIGHT		WEIGHT WITHOUT HARDWARE		WEIGHT CAPACITY	
	in	cm	in	cm	in	cm	in	cm	in	cm	in	cm	in	cm	lb	kg	lb	kg
DHD2016	19	48	15½	39.5	10	26	1	2.5	18½	47	21	53	16	41	6.2	2.8	500	226.8
DHD2020	19	48	19½	48.5	11	28	1	2.5	18½	47	21	53	20	51	7.2	3.3	500	226.8
DHD2216	21	53	15½	39.5	10	26	1	2.5	20½	52	23	58	16	41	6.8	3.1	500	226.8
DHD2220	21	53	19½	48.5	12	31	1	2.5	20½	52	23	58	20	51	7.8	3.5	500	226.8
DHD2416	23	58	15½	39.5	10	26	1	2.5	22½	57	25	63	16	41	7.4	3.4	500	226.8
DHD2420	23	58	19½	48.5	13	33	1	2.5	22½	57	25	63	20	51	8.4	3.8	500	226.8
DHD2616	25	63	15½	39.5	10	26	1	2.5	24½	62	27	69	16	41	8.0	3.6	500	226.8
DHD2620	25	63	19½	48.5	13	33	1	2.5	24½	62	27	69	20	51	9.0	4.1	500	226.8
DHD2816	27	69	15½	39.5	10	26	1	2.5	26½	67	29	74	16	41	8.6	3.9	500	226.8
DHD2820	27	69	19½	48.5	13	33	1	2.5	26½	67	29	74	20	51	9.6	4.4	500	226.8
DHD3016	29	74	15½	39.5	10	26	1	2.5	28½	72	31	79	16	41	9.2	4.2	500	226.8
DHD3020	29	74	19½	48.5	13	33	1	2.5	28½	72	31	79	20	51	10.2	4.6	500	226.8

Invacare Corporation  
www.invacare.com

USA  
One Invacare Way  
Elyria, Ohio  
44035-4190  
(800) 333-6900

Canada  
570 Matheson Blvd.  
E. Unit 8  
Mississauga, Ontario  
L4Z 4G4 Canada  
(800) 668-5324

Motion Concepts  
www.motionconcepts.com

USA  
700 Ensminger Rd.,  
Suite 112  
Tonawanda, NY 14150  
(888) 433-6818  
Fax: (888) 433-6834

Canada  
84 Citation Dr., Unit 1-7  
Concord, ON L4K 3C1  
(866) 748-7943  
(905) 695-0134  
Fax: 905-695-0138

© 2014 Invacare Corporation. All rights reserved.  
Trademarks are identified by the symbols ™ and ®.  
All trademarks are owned by or licensed to Invacare  
Corporation unless otherwise noted. Specifications  
are subject to change without notification.  
Form 12-570 Rev. 06/14 140440