

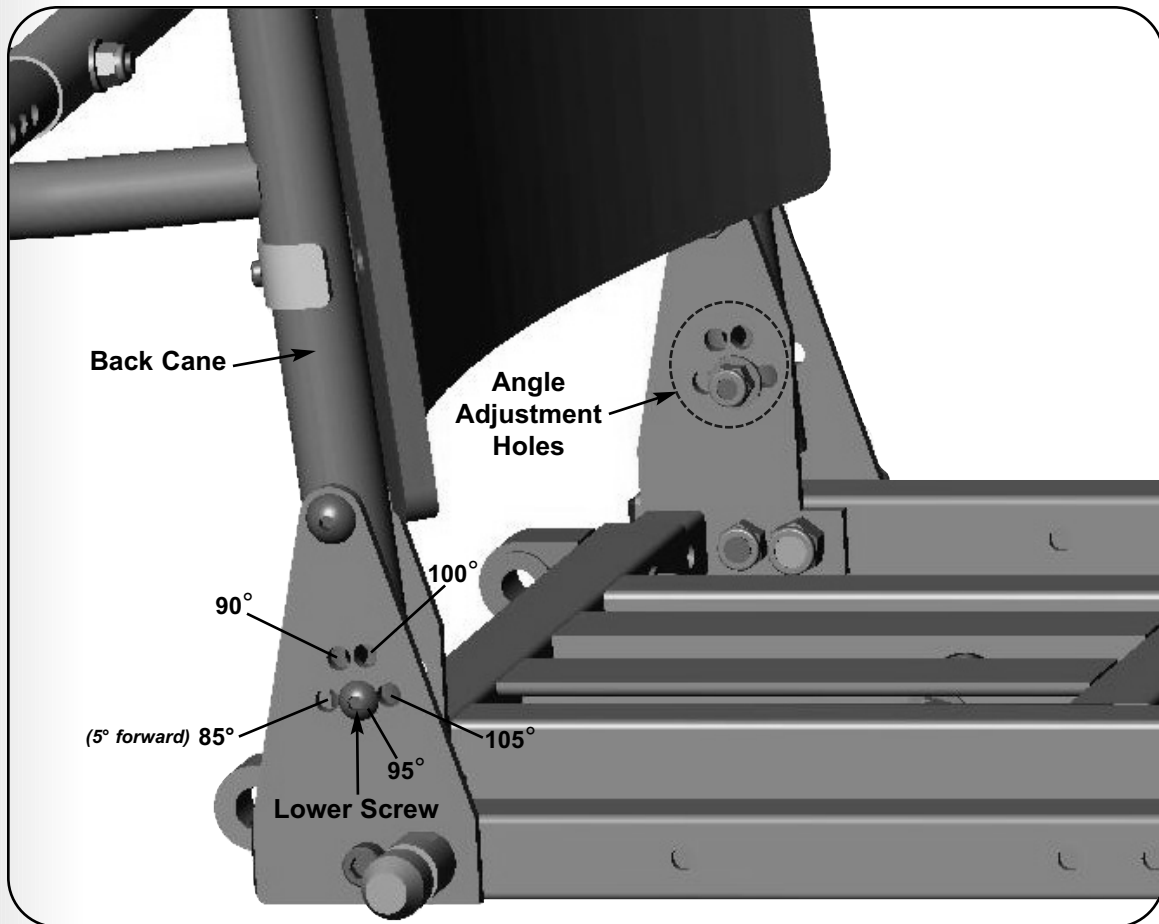
5.0 - Mechanical Adjustments:

VII. Back Cane Angle Adjustments (for Tilt Systems)

The TRx tilt back canes are angle adjustable. There is a total available **back angle range of 20°** (adjustable in 5° increments), from the most posterior position to the most anterior position (5° forward/ 15° rearward). The factory pre-set position is 95° relative to the seat frame). If a different angle is required, the back canes can be adjusted by changing the screw position in the triangular mounting bracket. (The angles shown below are approximate and are measured relative to the seat frame).

To Adjust the Back Cane Angle:

1. Remove the lower screw from both the right and left canes.
2. Tilt the canes in either the posterior or anterior direction so that the hole in the back cane lines up with one of the five holes in the triangular brackets.
3. When the desired position is located, re-install the screws.



NOTES