

www.motionconcepts.com

U.S.
700 Ensminger Rd.,
Suite 112
Tonawanda, NY 14150
TEL 1.888.433.6818
FAX 1.888.433.6834

Canada
84 Citation Dr.,
Concord, ON
L4K 3C1
TEL 905.695.0134
FAX 905.695.0138

Chin up!

Often when we're feeling down, we're told to keep our chin up. As we all know though, that can be easier said than done. But for people in power wheelchairs who have limited or no movement in their arms, holding their chin up is one of the things they can sometimes do well. And these days, that's more than enough to independently control their entire power positioning system.

Because clients with advanced neurological diseases such as ALS or high quads lack the arm movement to use a joystick, it can be difficult for them to access the devices needed to control their chair. That's why there are several technologically advanced mounting solutions available that help position devices such as sip and puff, tongue or chin control above their shoulders and within their reach. However, these types of mounting systems can be both difficult to find and expensive or even require a customized solution. And this is where Motion Concepts comes in.

For the first time ever, Motion Concepts presents the new Power Swing Away Chin Level Mounting System as a standard option on all our regular power positioning systems! This new mounting system is sleek, small and relatively lightweight. And because it's affixed to most standard Motion Concepts backs with ESR, it actually reclines along with clients to provide maximum control, security and stability.

The Power Swing Away Chin Level Mounting System has an overall height of 19.68" when extended (12.68" when retracted). So, it extends 7" from its retracted position and handles 2" 90° rotation. Most importantly, it easily swings away when not in use, which makes things easier than ever for caregivers during feedings and transfers. And, because it's fully powered, once it's returned back to its primary position, the Power Swing Away Chin Level Mounting System always 'remembers' the exact, original specified spot and automatically returns to it.

So go ahead and see for yourself today why the new Power Swing Away Chin Level Mounting System from Motion Concepts not only makes it easier for clients to access their power control devices, but proudly keep their chin up too.

Powers up smoothly to your clients' exact position every time



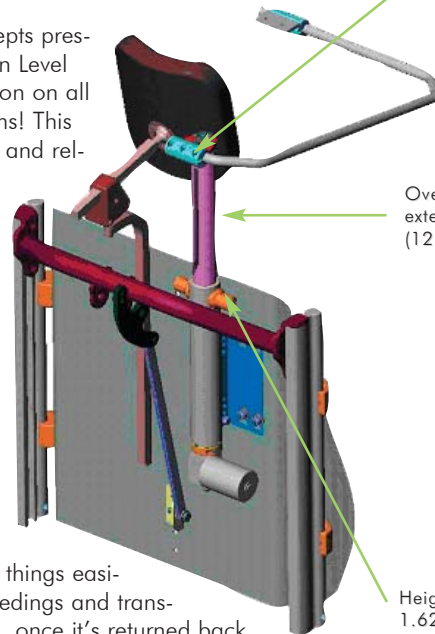
Swings completely back, while staying within the base footprint



Easily lowers down to clear the way for obstruction-free transfers



Extends 7" from retracted position with 2" 90° rotation



Over all height when extended is 19.68" (12.68" when retracted)

Height adjustment: 1.625" with increments; 1/2" Coarse, 3/8" Fine, (Fine tune with Control Bar clamp)